

## Piston Meter Cartridge Version WECOUNT-S

RTK-HPM, RTK-SPM, RTK-OPM

**WECOUNT-S**



The Electronic Piston Meter Cartridge Version of the WECOUNT-S product family is the latest generation of meters for municipal use as domestic water meters with LCD display, various radio types and an incomparably high measurement quality. The cartridge fits in all standardized cartridge housings and enables you to use smart meters in the most easy and cost efficient way possible.

- Integrated radio, flexibly programmable (Walk-by/Drive-by)
- Radio types: OMS 868 MHz (T1, C1), LoRaWAN 868 MHz
- Longterm data logging (storage of 1 due date value and 15 monthly values)
- Battery life up to 16 years
- Backflow and manipulation detection as well as notifications for leakage and pipe burst
- Configuration through NFC interface and Android app
- Starting flow rate 2 l/h
- Length 105 mm and 190 mm
- Nominal flow  $Q_3$  2,5 in  $m^3/h$  up to  $Q_3$  4 in  $m^3/h$
- MID measurement accuracy class ( $Q_3/Q_1$ ) up to R500 horizontal und R250 vertical (Standard R160H/V)
- Protection code IP65

## Piston Meter Cartridge Version WECOUNT-S

RTK-HPM, RTK-SPM, RTK-OPM

### REMOTE READING OPTIONS

Radio according to EN13757-4, wMBus/OMS (Open Metering System) Generation 4, Frequency 868 MHz, T1- or C1-Mode, Security Profile A or B, 128-Bit AES encryption mode 5 or 7, Radio power 14dBm

Optional: LoRaWAN, Frequency 868 MHz, Join procedure through OTAA

Radio parameters individually configurable via NFC interface and Android app



### AMR – (Automatic Meter Reading)

Gateway, Repeater and web portal available for providing data

### Walk-by / Drive-by

Recording and storage of consumption data inside the radio module

Reading out of stored data via mobile radio device and own radio readout app „M-Fair Connect mobile“



### The WECOUNT-S product family

Intelligent residential and domestic water meters based on the same state-of-the-art electronic totalizer which can be programmed according to customer specifications. Standard for all meters:

- Integrated radio
- Easy to read digital LCD display with clear and informative presentation
- Operable with the same soft- and hardware components
- Data logger for 1 daily value, 15 monthly values, notifications for leakage and other incidents
- Common battery concept (up to 7 ,13 or 16 years battery life)



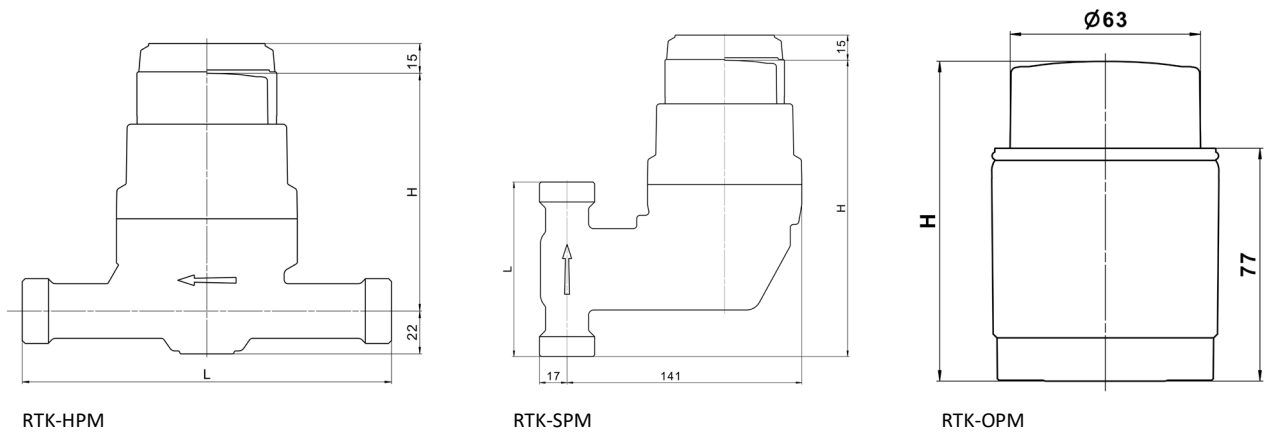
# Piston Meter Cartridge Version WECOUNT-S

## RTK-HPM, RTK-SPM, RTK-OPM

### TECHNICAL DATA

#### Model

RTK-... = Cold water from 0,1 °C up to 30 °C



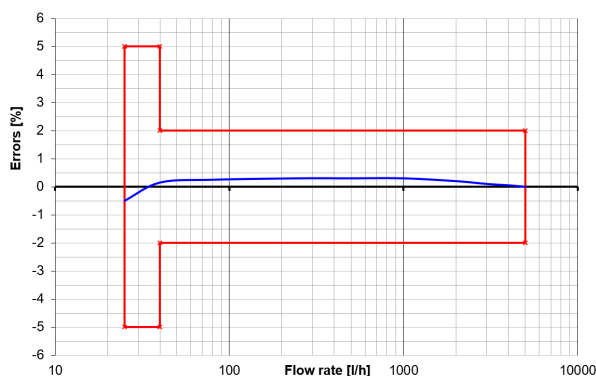
Installation position	Model	Length L in mm	Height H in mm (ca.)	Nominal flow Q <sub>3</sub> in m <sup>3</sup> /h	Nominal width DN in mm	Thread in inch	Starting flow* in l/h	Flow rate Q' at 1 bar pressure loss in l/h (ca.)	Weight in kg (ca.)
horizontal	RTK-HPM	190	123	2,5	20	G 1 B	2	5000	1,8
horizontal	RTK-HPM	190	123	4		G 1 B			1,8
ascending	RTK-SPM	105	179	2,5		G 1 B			2,1
ascending	RTK-SPM	105	179	4		G 1 B			2,1
cartridge	RTK-OPM	-	106	4		-			-

\* typical values in horizontal installation position

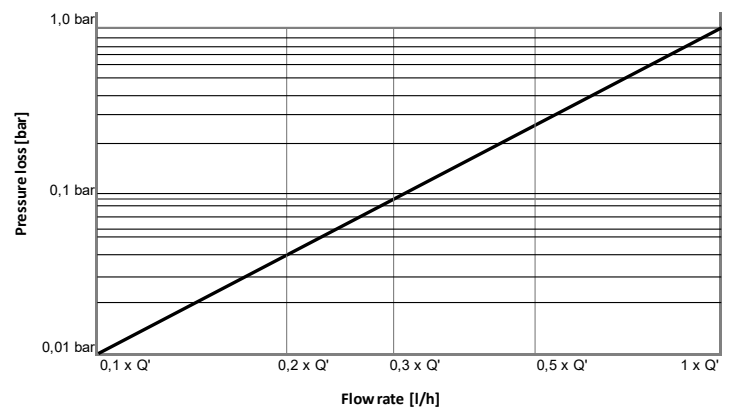
The meter does not require any upstream or downstream straight length (U0/D0).

Piston Meter Cartridge Version WECOUNT-S RTK-OPM (conformity declared) for assembly into standard cartridge bodies can be ordered separately. Technical data as described above.

#### Typical error curve Q<sub>3</sub> 4 R160H



#### Typical pressure loss graph



## Piston Meter Cartridge Version WECOUNT-S

RTK-HPM, RTK-SPM, RTK-OPM

### APPROVALS / CERTIFICATES / STANDARDS

- EU-Type Examination Certificate according to 2014/32/EU (MID)
- EU-Type Examination Certificate according to 2014/53/EU (RED)
- EU-Type Examination Certificate according to 2011/65/EU (RoHS)
- OIML R49
- EN 14154
- KTW-BWGL / W270 (D)
- OMS compliance

### ADDITIONAL OPTIONS

- Individual labelling of totalizer and/or protection cover (on customer request)
- Protection cover for RTK-OPM optional
- Non-return valve for RTK-OPM optional

### VARIANTS



Fig. RTK-SPM (ascending) with protection cover



Fig. RTK-OPM (cartridge)