

Single-Jet Dry Meter Reed Contact

ETK-EAK, ETW-EAK



Our Single-Jet Dry Meter Reed Contact are particularly suitable for electronic meter reading. The contact outlet can be connected to various measuring data systems.

- Ready for integration into any AMR system
- Temperature range up to 50 °C (cold) and up to 90 °C (warm)
- Nominal flow Q_3 2,5 in m^3/h up to Q_3 4 in m^3/h
- Nominal size DN13 up to DN20
- Length 80 mm up to 130 mm
- Pulse valencies from 10 litres up to 100 litres per pulse (additional available on request)
- MID measurement accuracy class (Q_3/Q_1) up to R80H horizontal and up to R40 vertical
- 5-digit-contact totalizer
- Cable length from 2 m
- Tamper-proof due to metallic cover
- Maximum pressure load 1,6 MPa
- Protection code IP65

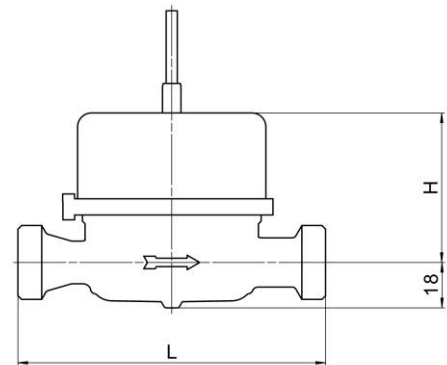
Single-Jet Dry Meter Reed Contact

ETK-EAK, ETW-EAK

TECHNICAL DATA

Typ

ETK-EAK = Cold water from 0,1 °C up to 50 °C
 ETW-EAK = Warm water from 0,1 °C up to 90 °C



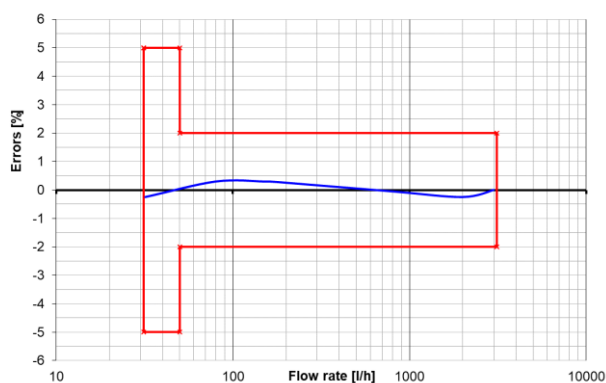
Installation position	Length* L in mm	Height H in mm (ca.)	Nominal flow Q ₃ in m ³ /h	Nominal width DN in mm	Thread in inch	Starting flow** in l/h	Flow rate Q' at 1 bar pressure loss in l/h (ca.)	Weight in kg (ca.)
horizontal	80	54	2,5	15	G ¾B	8	3300	0,4
	110	54	2,5	15	G ¾B	8	3300	0,4
	115	54	2,5	13	G 7/8 - ¾ B	8	3300	0,4
	115	54	2,5	15	G ¾B	8	3300	0,4
	130	54	2,5	15	G ¾B	8	3300	0,6
	130	54	2,5	20	G 1 B	8	3300	0,6
	130	54	4	20	G 1 B	15	5500	0,6

* Additional lengths available on request

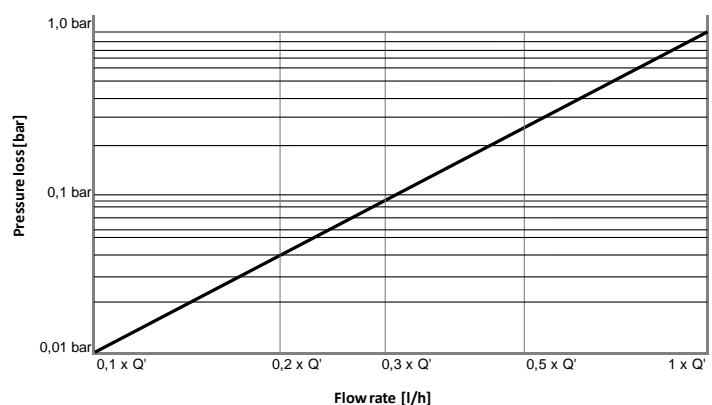
** Typical values in horizontal installation position

The meter does not require any upstream or downstream straight length (U0/D0)

Typical error curve Q₃ 2,5 R80H



Typical pressure loss graph



Single-Jet Dry Meter Reed Contact

ETK-EAK, ETW-EAK

TECHNICAL DATA

Direct switching voltage up to:	200 V
Switching current:	500 mA
Switching time:	0,5 ms
Transport current:	500 mA
Transition resistance:	150 mOhm
Capacity:	0,2 pF

Additional technical data available on request.

APPROVALS / CERTIFICATES / STANDARDS

- EU-Type Examination Certificate according to 2014/32/EU (MID)
- OIML R49
- EN 14154
- KTW-BWGL / W270 (D)

ADDITIONAL OPTIONS

- Individual labelling of metallic cover with sticker (on customer request)
- Individual customer serial number (max. 14 figures)
- Without metallic cover

VARIANTS



Fig. ETW-EAK (warm water)