

Multi-Jet Dry Meter Reed Contact

MTK-...WK, MTW-...WK



Our Multi-Jet Dry Meter Reed Contact are particularly suitable for electronic meter reading. The contact outlet can be connected to various measuring data systems.

- Ready for integration into any AMR system
- Temperature range up to 50 °C (cold) and up to 90 °C (warm)
- Nominal flow Q_3 2,5 in m^3/h up to Q_3 25 in m^3/h
- Nominal size DN15 up to DN50
- Length 105 mm up to 300 mm
- Pulse valencies from 10 litres up to 100 litres per pulse (additional available on request)
- MID measurement accuracy class (Q_3/Q_1) up to R100 horizontal and up to R40 vertical
- 5-digit-contact totalizer
- Cable length from 2 m up to 3 m
- Tamper-proof due to metallic cover
- Maximum pressure load 1,6 MPa
- Protection code IP65

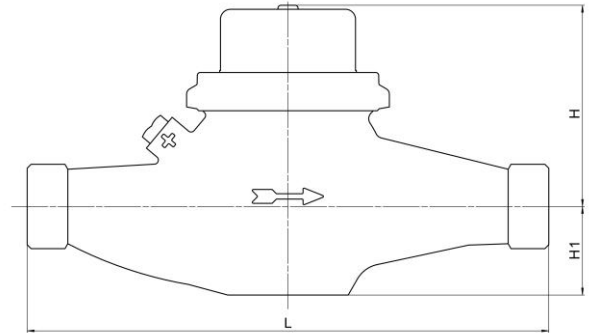
Multi-Jet Dry Meter Reed Contact

MTK-...WK, MTW-...WK

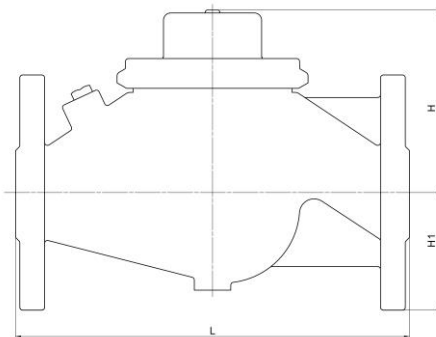
TECHNICAL DATA

Model

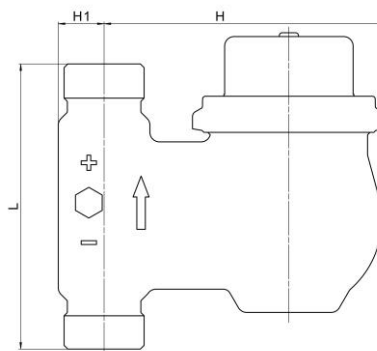
MTK-... = Cold water from 0,1 °C up 50 °C
 MTW-... = Warm water from 0,1 °C up to 90 °C



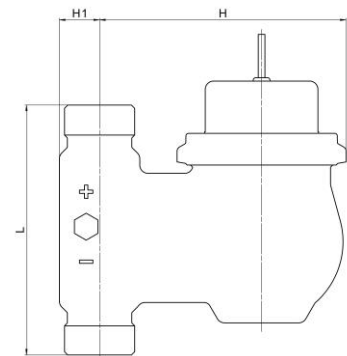
MTK-HWK
 MTW-HWK



MTK-HWK (connection thread F50)
 MTW-HWK (connection thread F50)



MTK-SWK,
 MTW-SWK



MTK-FWK,
 MTW-FWK

Installation position	Model	Length* L in mm	Height H in mm (ca.)	H1 in mm	Nominal flow Q3 in m ³ /h	Nominal width DN in mm	Thread in inch	Starting flow** in l/h	Flow rate Q' at 1 bar pressure loss	Weight in kg (ca.)
horizontal	MTK-HWK MTW-HWK	165	89	34	2,5	15	G ¼ B	8	4500	1,5
		190	91	32	4	20	G 1 B	9	5600	1,6
		260	100	44	6,3	25	G 1 ¼ B	14	11000	2,9
		260	100	44	10	25	G 1 ¼ B	17	12500	2,9
		260	100	44	10	32	G 1 ½ B	17	12500	2,9
		300	109	55	16	40	G 2 B	19	24000	4,9
		300	126	57	25	50	G 2 ½ B	20	31250	9,5
		300	126	70	25	50	F50	20	31250	11,5
ascending	MTK-SWK MTW-SWK	105	130	18	2,5	20	G 1 B	8	5500	1,7
		105	130	18	4	20	G 1 B	9	5500	1,7
		150	148	24	6,3	25	G 1 ¼ B	14	12500	2,8
		150	148	24	10	25	G 1 ¼ B	17	12500	2,8
		150	181	30	16	40	G 2 B	19	26000	4,7
		200	181	30	16	40	G 2	19	26000	5,0
descending	MTK-FWK MTW-FWK	105	130	17	4	20	G 1 B	8	5500	1,9
		105	130	17	2,5	15	G 1	8	5500	1,9

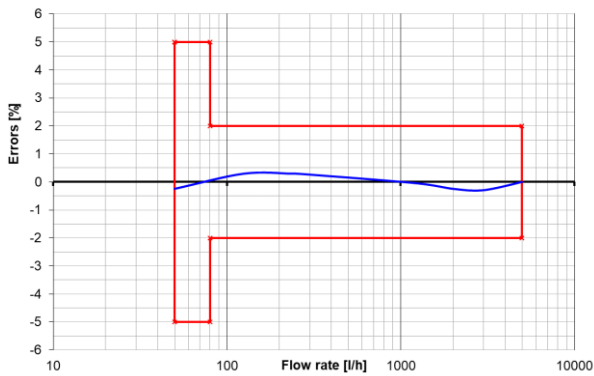
* Additional lengths available on request

** Typical values in horizontal installation position

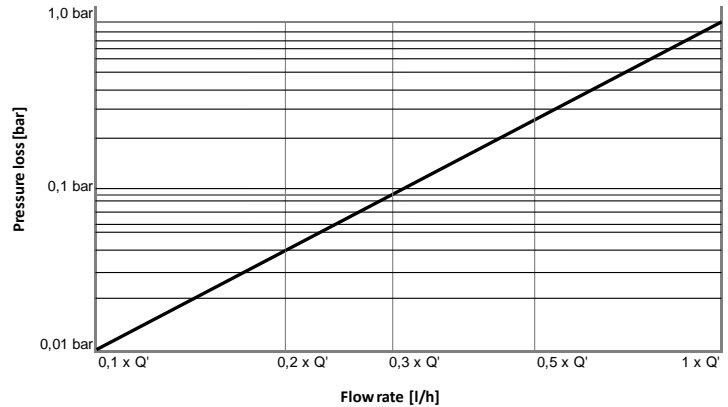
Multi-Jet Dry Meter Reed Contact

MTK-...WK, MTW-...WK

Typische Fehlerkurve für Q₃ 4 R80H



Typische Druckverlustkurve



TECHNICAL DATA

Direct switching voltage up to:	200 V
Switching current:	500 mA
Switching time:	0,5 ms
Transport current:	500 mA
Transition resistance:	150 mOhm
Capacity:	0,2 pF

Additional technical data available on request.

APPROVALS / CERTIFICATES / STANDARDS

- EU-Type Examination Certificate according to 2014/32/EU (MID)
- OIML R49
- EN 14154
- KTW-BWGL / W270 (D)

ADDITIONAL OPTIONS

- Individual labelling of metallic cover with sticker (on customer request)
- Insert back-flow preventer
- Individual customer serial number (max. 14 figures)
- Without metallic cover