

## Multi-Jet Dry Meter Measuring Capsule WECOUNT

MTK-OZM, MTW-OZM

**WECOUNT**

Our Electronic Measuring Capsules of the WECOUNT product family is the latest generation of meters with LCD displays, integrated OMS radio and an incomparably high measuring accuracy. The wide portfolio covers all standard in-wall housings and fits seamlessly into your smart meter world.

- Integrated radio, flexibly programmable (Walk-by/Drive-by)
- For direct integration into OMS compliant readout systems (T1-Mode, C1-Mode)
- Longterm data logging (storage of 1 due date value, 15 monthly values and 480 daily values)
- Battery life up to 7 years
- Backflow and manipulation detection as well as notifications for leakage and pipe burst
- Inductive device interface for parameterization
- Starting flow rate 3 l/h
- Temperature range up to 50 °C (cold) and up to 90 °C (warm)
- Nominal flow  $Q_3$  2,5 in  $m^3/h$
- MID measurement accuracy class ( $Q_3/Q_1$ ) up to R250 horizontal und R200 vertical
- Protection code IP68 – Suitable for all types of installation (except for pit installation)

# Multi-Jet Dry Meter Measuring Capsule WECOUNT MTK-OZM, MTW-OZM

## REMOTE READING OPTIONS

Radio according to EN13757-4, wMBus/OMS  
 (Open Metering System) Generation 4,  
 Frequency 868 MHz, T1- or C1-Mode,  
 Security Profile A or B,  
 128-Bit AES encryption mode 5 or 7,  
 Radio power 14dBm



Radio parameters individually adjustable via inductive communication head and the free app "µline config" from the Microsoft online store

## AMR – (Automatic Meter Reading)

Gateway, Repeater and web portal available for providing data

## Walk-by / Drive-by

Recording and storage of consumption data inside the radio module

Reading out of stored data via mobile radio device and own radio readout app „M-Fair Connect mobile“



## The WECOUNT product family

Intelligent residential and domestic water meters based on the same state-of-the-art electronic totalizer which can be programmed according to customer specifications. Standard for all meters:

- Integrated radio
- Easy to read digital LCD display with clear and informative presentation
- Operable with the same soft- and hardware components
- Data logger for 480 daily values, 15 monthly values, notifications for leakage and other incidents
- Common battery concept (up to 7 ,13 or 16 years battery life)



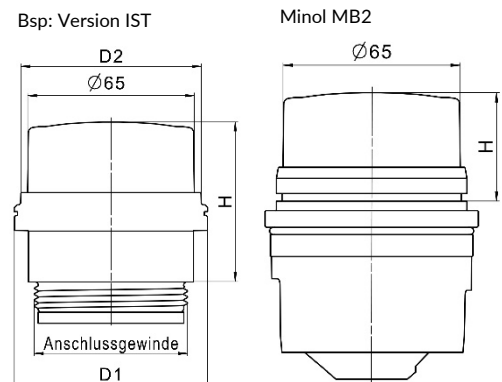
# Multi-Jet Dry Meter Measuring Capsule WECOUNT

## MTK-OZM, MTW-OZM

### TECHNICAL DATA

#### Model

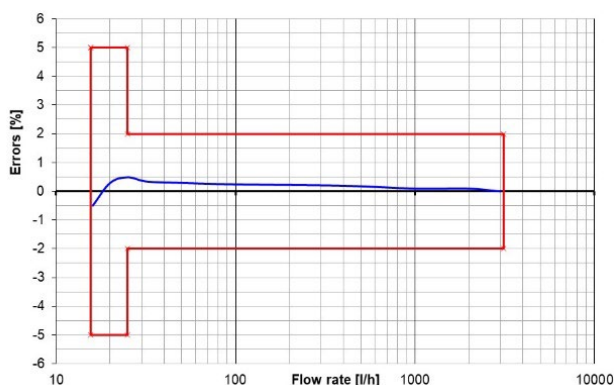
MTK-OZM = Cold water from 0,1 °C up to 50 °C  
 MTW-OZM = Warm water from 0,1 °C up to 90 °C



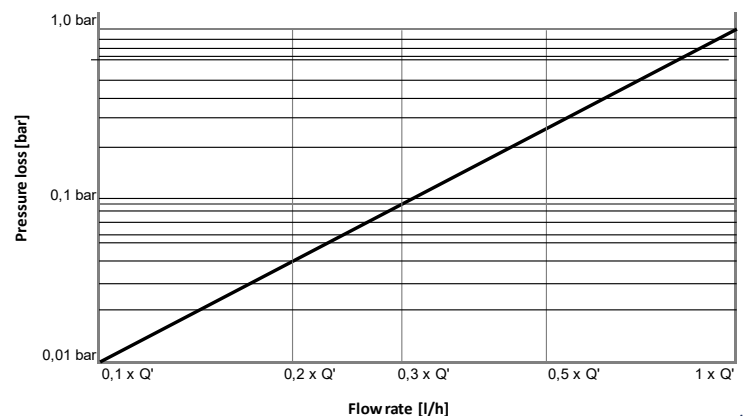
Compatible to	Type	Height H in mm (ca.)	D1 in mm	D2 in mm	Nominal flow Q <sub>3</sub> in m <sup>3</sup> /h	Thread	Starting flow* in l/h	Flowrate Q' at 1 bar pressure loss in l/h (ca.)	Weight in kg (ca.)
ISTA EAS-N	IST	62	75	71	2,5	G 2"	3	3400	0,2
Elster/ABB MO-E/EAS-H MO-C/EAS-N	MOE	35				M65x2			0,2
Allmess UP6000	A34	42				M77x1,5			0,5
Techem UP TE1	TE1	40				M62x2			0,2
Metrona/Brunata HT3	MET	35				M64x2			0,2
Deltamess TRK	DM1	55				M60x2			0,4
Metrona 307/1	HT2	51				M66x1			0,4
SPX/Spanner Pollux Pollomuk	MUK	35				G 2 ¼"			0,3
Wehrle Unterputz	WE1	45				M78x1,5			0,6
Wasser-Geräte WGU	WGU	51				M66x1,25			0,4
Minol MB3	MB3	46				M76x1,5			0,5
Minol MB2	MB2	40				-			-

\* Typical values in horizontal installation position

#### Typical error curve Q<sub>3</sub> 2,5 R160H



#### Typical pressure loss graph



# Multi-Jet Dry Meter Measuring Capsule WECOUNT

## MTK-OZM, MTW-OZM

### APPROVALS / CERTIFICATES / STANDARDS

- EU-Type Examination Certificate according to 2014/32/EZ (MID)
- EU-Type Examination Certificate according to 2014/53/EU (RED)
- EU-Type Examination Certificate according to 2011/65/EU (RoHS)
- OIML R49
- EN 14154
- KTW-BWGL / W270 (D)
- ÖNORM B5014 (AT)
- OMS compliance

### ADDITIONAL OPTIONS

- Individual labelling of totalizer on customer request
- Different accessories → Fig. ①
- Suitable rosettes → Fig. ②



Fig. ①



Fig. ②