

Multi-Jet Dry Meter Measuring Capsule WECOUNT-S

MTK-OZM, MTW-OZM

WECOUNT-S



The Electronic Measuring Capsule of the WECOUNT-S product family is the latest generation of meters with LCD display, various radio types and an incomparably high measuring accuracy. The wide portfolio covers all standard in-wall housings and fits seamlessly into your smart meter world.

- Integrated radio, flexibly programmable (Walk-by/Drive-by)
- Radio types: OMS 868 MHz (T1, C1), LoRaWAN 868 MHz
- Longterm data logging (storage of 1 due date value and 15 monthly values)
- Battery life up to 7 years
- Backflow and manipulation detection as well as notifications for leakage and pipe burst
- Configuration through NFC interface and Android app
- Starting flow rate 3 l/h
- Temperature range up to 50 °C (cold) and up to 90 °C (warm)
- Nominal flow Q_3 2,5 in m^3/h
- MID measurement accuracy class (Q_3/Q_1) up to R250 horizontal und R200 vertical
- Protection code IP68 – Suitable for all types of installation (except for pit installation)

Multi-Jet Dry Meter Measuring Capsule WECOUNT-S MTK-OZM, MTW-OZM

REMOTE READING OPTIONS

Radio according to EN13757-4, wMBus/OMS (Open Metering System) Generation 4, Frequency 868 MHz, T1- or C1-Mode, Security Profile A or B, 128-Bit AES encryption mode 5 or 7, Radio power 14dBm

Optional: LoRaWAN, Frequency 868 MHz, Join procedure through OTAA

Radio parameters individually configurable via NFC interface and Android app



AMR – (Automatic Meter Reading)

Gateway, Repeater and web portal available for providing transmitting data

Walk-by / Drive-by

Recording and storage of consumption data inside the radio module

Reading out of stored data via mobile radio device and own radio readout app „M-Fair Connect mobile“



The WECOUNT-S product family

Intelligent residential and domestic water meters based on the same state-of-the-art electronic totalizer which can be programmed according to customer specifications. Standard for all meters:

- Integrated radio
- Easy to read digital LCD display with clear and informative presentation
- Operable with the same soft- and hardware components
- Data logger for 1 daily value, 15 monthly values, notifications for leakage and other incidents
- Common battery concept (up to 7, 13 or 16 years battery life)



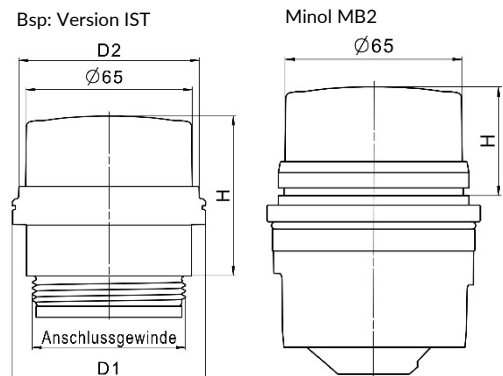
Multi-Jet Dry Meter Measuring Capsule WECOUNT-S

MTK-OZM, MTW-OZM

TECHNICAL DATA

Model

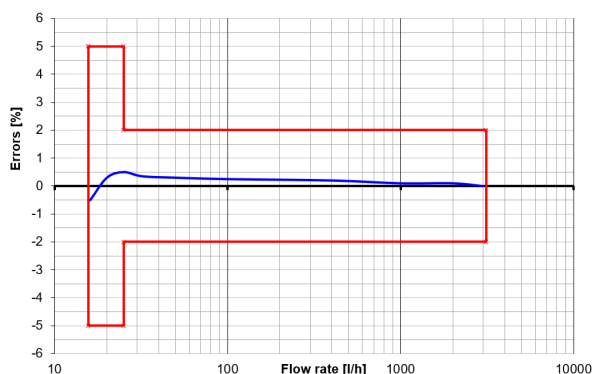
- MTK-OZM = Cold water from 0,1 °C up to 50 °C
 MTW-OZM = Warm water from 0,1 °C up to 90 °C



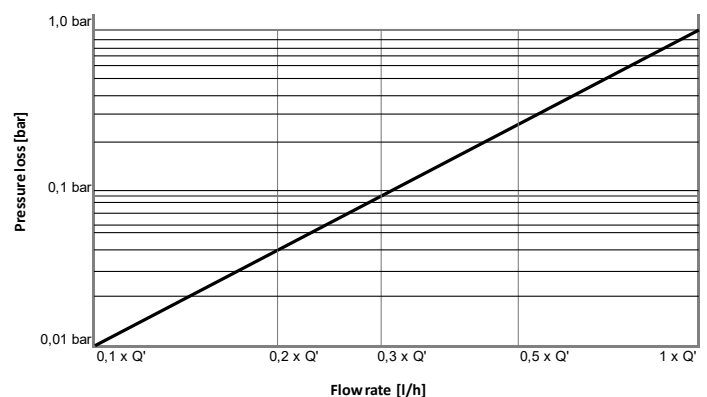
Compatible to	Type	Height H in mm (ca.)	D1 in mm	D2 in mm	Nominal flow Q ₃ in m ³ /h	Thread	Starting flow* in l/h	Flowrate Q' at 1 bar pressure loss in l/h (ca.)	Weight in kg (ca.)
ISTA EAS-N	IST	62	75	71	2,5	G 2"	3	3400	0,2
Elster/ABB MO-E/EAS-H MO-C/EAS-N	MOE	35				M65x2			0,2
Allmess UP6000	A34	42				M77x1,5			0,5
Techem UP TE1	TE1	40				M62x2			0,2
Metrona/Brunata HT3	MET	35				M64x2			0,2
Deltamess TRK	DM1	55				M60x2			0,4
Metrona 307/1	HT2	51				M66x1			0,4
SPX/Spanner Pollux Pollomuk	MUK	35				G 2 ¼"			0,3
Wehrle Unterputz	WE1	45				M78x1,5			0,6
Wasser-Geräte WGU	WGU	51				M66x1,25			0,4
Minol MB3	MB3	46	M76x1,5	0,5					
Minol MB2	MB2	40	-	-	-	-	2800	0,5	

* Typical values in horizontal installation position

Typical error curve Q₃ 2,5 R160H



Typical pressure loss graph



Multi-Jet Dry Meter Measuring Capsule WECOUNT-S MTK-OZM, MTW-OZM

APPROVALS / CERTIFICATES / STANDARDS

- EU-Type Examination Certificate according to 2014/32/EZ (MID)
- EU-Type Examination Certificate according to 2014/53/EU (RED)
- EU-Type Examination Certificate according to 2011/65/EU (RoHS)
- OIML R49
- EN 14154
- KTW-BWGL / W270 (D)
- ÖNORM B5014 (AT)
- OMS compliance

ADDITIONAL OPTIONS

- Individual labelling of totalizer on customer request
- Different accessories → Fig. ①
- Suitable rosettes → Fig. ②



Fig. ①



Fig. ②