

Multi-Jet Dry Meter Measuring Capsule MODULARIS

MTK-OZX, MTW-OZX



Fig. top view MTK-OZX IST

Our wide Wehrle multi-jet dry meter measuring capsule portfolio covers all standard in-wall housings. They can be integrated into AMR systems via additional reading modules without a problem.

- Ready for integration into any AMR system
- Temperature range up to 50 °C (cold) and up to 90 °C (warm)
- Nominal flow Q_3 2,5 in m^3/h
- Suitable for all standard in-wall housings
- MID measurement accuracy class (Q_3/Q_1) up to R80 horizontal and up to R40 vertical
- 360° rotatable 8-digit totalizer
- Maximum pressure load 1,6 MPa
- Existing original rosettes can be used
(Exception: Minol MB2-, MB3- and TE1-rosettes)
- Accessories (e.g. rosettes) are available separately
- Protection code IP64

Multi-Jet Dry Meter Measuring Capsule MODULARIS

MTK-OZX, MTW-OZX

REMOTE READING OPTIONS AMR

(Automatic Meter Reading)

MODULARIS modules:

MODULARIS Pulse Generator, S0, DIN 43864

alternatively with - 1 Litre per pulse

- 10 Litres per pulse

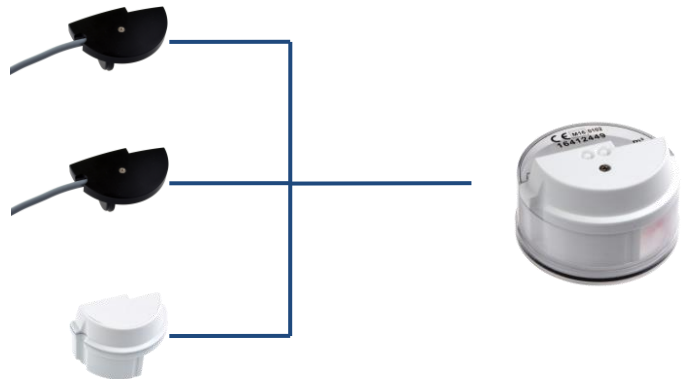
- 100 Litres per pulse

MODULARIS M-Bus module

according to EN 1434-3

MODULARIS Radio module, frequency range

433 MHz or 868 MHz (OMS)



Retrofitting with Modularis Radio module

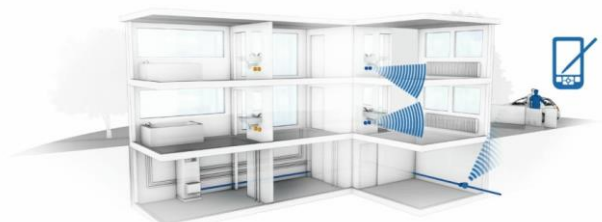
- Individually parameterizable
- Data recording via walk-by / drive-by
- Consumption data permanently stored
- Battery lifetime of up to 12 years
- Detection of rotation direction
- Manipulation detection



Maximum convenience through AMR

walk-by / drive-by solution

- Recording and storage of consumption data inside the radio module
- Reading of stored data via mobile reading device



Multi-Jet Dry Meter Measuring Capsule MODULARIS

MTK-OZX, MTW-OZX

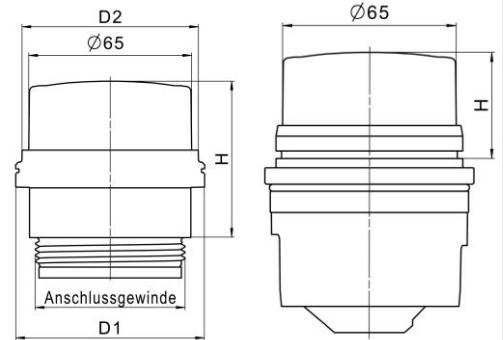
TECHNICAL DATA

Model

MTK-OZX = Cold water from 0,1 °C up to 50 °C
 MTW-OZX = Warm water from 0,1 °C up to 90 °C

Bsp: Version IST

Minol MB2

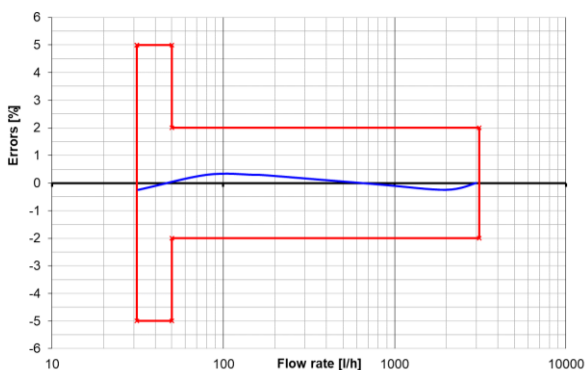


Compatible to	Type	Height H in mm (ca.)	D1 in mm	D2 in mm	Nominal flow Q ₃ in m ³ /h	Thread	Starting flow* in l/h	Flow rate Q' at 1 bar pressure loss	Weight in kg (ca.)
ISTA EAS-N	IST	62	75	71	2,5	G 2"	3	3400	0,2
Elster/ABB MO-E/EAS-H MO-C/EAS-N	MOE	35				M65x2			0,2
Allmess UP6000	A34	42				M77x1,5			0,5
Techem UP TE1	TE1	40				M62x2			0,2
Metrona/Brunata HT3	MET	35				M64x2			0,2
Deltamess TRK	DM1	55				M60x2			0,4
Metrona 307/1	HT2	51				M66x1			0,4
SPX/Spanner Pollux Pollomuk	MUK	35				G 2 1/4"			0,3
Wehrle Unterputz	WE1	45				M78x1,5			0,6
Wasser-Geräte WGU	WGU	51				M66x1,25			0,4
Minol MB3	MB3	46				M76x1,5			0,5
Minol MB2	MB2	40				-			-

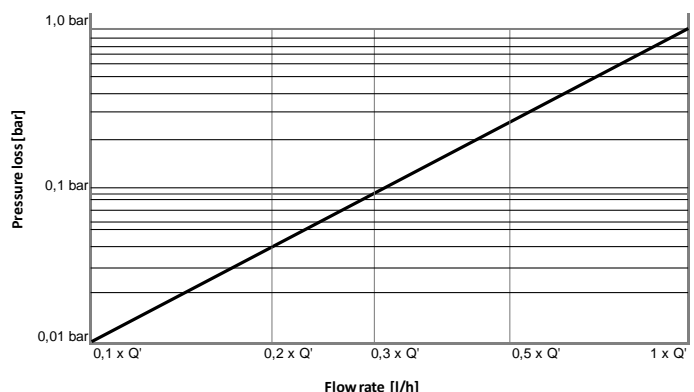
* Additional lengths available on request ** Typical values in horizontal installation position

The meter does not require any upstream or downstream straight length (U0/D0).

Typical error curve Q₃ 2,5 R80H



Typical pressure loss graph



Multi-Jet Dry Meter Measuring Capsule MODULARIS

MTK-OZX, MTW-OZX

APPROVALS / CERTIFICATES / STANDARDS

- EU-Type Examination Certificate according to 2014/32/EU (MID)
- OIML R49
- EN 14154
- KTW-BWGL / W270 (D)
- ÖNORM B5014 (AT)
- ACS (F)

ADDITIONAL OPTIONS

- Individual labelling of totalizer and/or protection cover (on customer request)
- Transparent cover with viewing window for litre pointer → Fig. ①
- Individual customer serial number (max. 14 figures)
- Different accessories (e.g. rosettes → Fig. ②)



Fig. ①

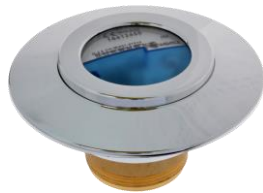


Fig. ② (Model IST)

VARIANTS



Fig. MTW-OZX IST (warm water)